



**Model Number**

CCN15-30GS60-A2

**Features**

- 15 mm non-flush
- Operating distance adjustable via potentiometer
- High EMC resistance
- Stainless steel version
- Complementary outputs
- Operating voltage range 10 V ... 60 V DC

**Accessories**

BF 30  
Mounting flange, 30 mm

**Technical Data**

**General specifications**

Switching element function		PNP	NO/NC
Rated operating distance	$s_n$	15 mm	
Installation		non-flush	
Output polarity		DC	
Assured operating distance	$s_a$	0 ... 12.1 mm	

**Nominal ratings**

<b>Installation conditions</b>			
A		18 mm	
B		10 mm	
C		30 mm	
F		60 mm	
Operating voltage	$U_B$	10 ... 60 V DC	
Switching frequency	f	0 ... 10 Hz	
Reverse polarity protection		reverse polarity protected	
Short-circuit protection		pulsing	
Voltage drop	$U_d$	$\leq 2.8$ V	
Operating current	$I_L$	0 ... 200 mA	
Off-state current	$I_r$	0 ... 0.5 mA typ. 0.1 $\mu$ A at 25 °C	
Off-state current $T_U=40$ °C, switching element off		$\leq 100$ $\mu$ A	
No-load supply current	$I_0$	$\leq 20$ mA	
Time delay before availability	$t_v$	$\leq 50$ ms	
Switching state indicator		LED, yellow	

**Functional safety related parameters**

MTTF <sub>d</sub>	750 a
Mission Time (T <sub>M</sub> )	20 a
Diagnostic Coverage (DC)	0 %

**Indicators/operating means**

Potentiometer	sensitivity adjustment
---------------	------------------------

**Ambient conditions**

Ambient temperature	-25 ... 70 °C (-13 ... 158 °F)
Storage temperature	-40 ... 85 °C (-40 ... 185 °F)

**Mechanical specifications**

Connection type	cable PVC , 2 m
Core cross-section	0.75 mm <sup>2</sup>
Housing material	Stainless steel 1.4305 / AISI 303
Sensing face	PBT
Degree of protection	IP67

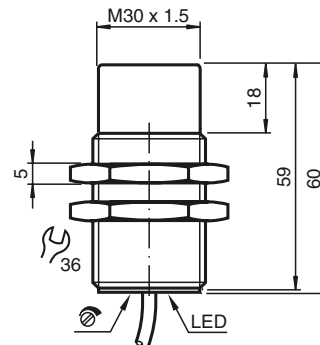
**Compliance with standards and directives**

<b>Standard conformity</b>	
Standards	EN 60947-5-2:2007 IEC 60947-5-2:2007

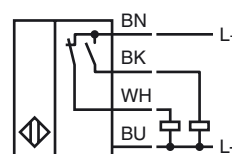
**Approvals and certificates**

UL approval	cULus Listed, General Purpose
CSA approval	cCSAus Listed, General Purpose
CCC approval	Certified by China Compulsory Certification (CCC)

**Dimensions**



**Electrical Connection**



Installation Conditions

